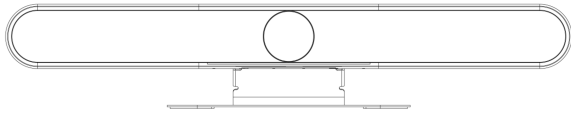


# IPEVO

VC-B4K

UHD 4K All-in-One Video Bar

## 1. Appearance and Back Panel

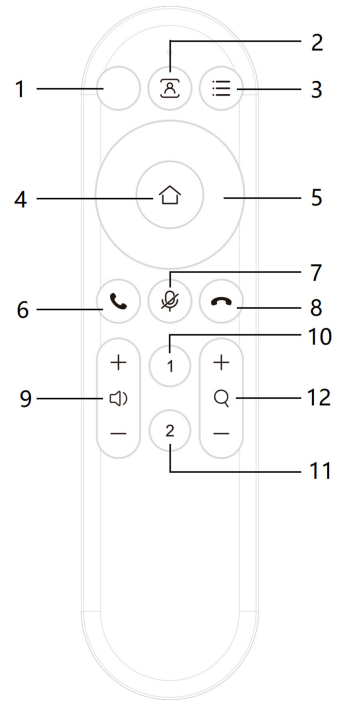


Back Panel	
USB	USB audio/video input/output, type C
HDMI	HDMI video input
LINE IN	3,5mm audio linear input
LINE OUT	3,5mm linear input
Extension Mic	RJ45
Power Supply	HEC3800 power socket [DC12V], input AC110V-AC220V output DC12V/2A

## 2. Packing List

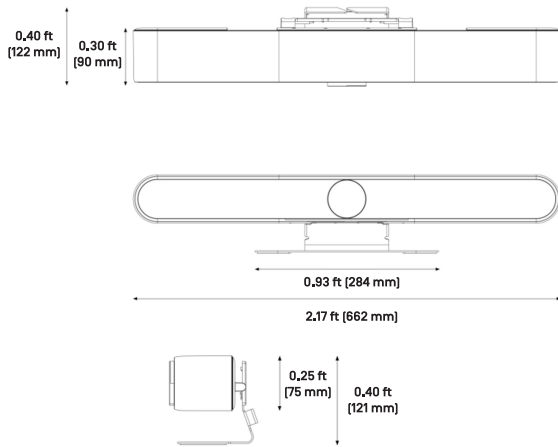
Items	Quantity	Configuration
All-in-one Video Bar	1	Standard
USB Cable	1	
Remote Control	1	
Quick Start Guide	1	
Power Adapter	1	

## 3. Remote Control



No.	Function Description
1	Wireless pairing
2	Auto Framing & Voice Tracking
3	Menu
4	HOME
5	Direction Buttons
6	Answer Incoming Call
7	Microphone Mute
8	Reject Incoming Call
9	Turn up/down Volume
10	Set/Cal No.1 Presetting
11	Set/Cal No.2 Presetting
12	Zoom in/out

## 4. Dimension



## 5. Product Usage

### • Power on

Connect DC12V power adapter and device power supply input socket.

### • Statue Indicator

Running Lights	Boot Initialization In Progress
Flickering Blue Lights	In Wireless Pairing Mode
Lights Turn Blue And Stay 3S	Wireless Pairing Finished
Solid Green Light	Working Statue: When Turn Off Auto-Framing & Voice Tracking, All Light Turn Green When Turn On Auto-Framing & Voice Tracking, Partial Light Turn Green
Breathing Green Light	Standby Statue (Device On Without Video)
Solid Red Light	Microphone Muted
Green Light On/Off	Volume Up/Down
Partial Green Light On	Partial Light Turns Green According To The Voice Source

### • Video Output

1. USB: Connect device to Pcs through USB cable, and open the video software to select device to output.
2. HDMI: Connect device to monitor through HDMI cable, and then select the correct input source on the monitor to output.

### • Audio Input

1. Built-in audio: It is default that the device pick up voice through built-in mics.
2. Audio input through 3.5mm linear audio cable: Connect to external pickup through 3.5mm audio cable (When connecting to external pickup, audio in automatically switch into external pickup.)

### • Audio Output

1. Built-in speaker: It is default that device output voice through built-in speaker.
2. Audio output through 3.5mm linear audio cable: Connect to external speaker through 3.5mm audio cable (When connecting to external speaker, audio out automatically switch into external speaker.)

## 6. Safety Precaution

### 1. Usage Caution

- Cover of this product is made of organic materials. Do not expose it to any liquid, gas or solids which may corrode the shell.
- Do not expose the product to rain or moisture.  
Wipe the lens with a soft, dry cloth gently and use a mild detergent if necessary.
- Any damage caused by dismantling the product by user without permission is not covered by warranty.

### 2. Electrical Safety

- Installation and use of this product must strictly comply with local electrical safety standards.
- Do not use a power adapter that exceeds the power specification, otherwise it will cause the device components to burn out and not work properly.
- When using the product, keep a sufficient distance from strong electrical equipment, and take protective measures such as lightning protection and surge protection when necessary.
- Please turn off the power switch when the product is not in use, and unplug the power adapter from the power socket at the same time.

### 3. Install

- This product should be placed on a stable desktop or other horizontal surface. Do not install the product obliquely, otherwise it may display inclined image.
- Do not power on before completely installation.

### 4. Magnetic Interference

Electromagnetic fields at specific frequencies may affect the video image. This product type is Class A, which may cause radio interference in household application, thus appropriate measure is required to avoid magnetic interference.

Please reach our sales for detailed user guide.